

- up to 7 bar
- optional safety valve

- stroke control



### Application/customer's benefit

Actuation of power chucks and special automatic clamping equipments.  
Use on machines not equipped with hydraulic power unit as traditional lathes or special CNC machines.  
Closed or partial open center mounting applications.

### Technical features

Push and pull operations. Air-manifold mounted on precision bearings.  
High resistance aluminium body and front flange.  
Piston stroke control and optional double safety valve (for both chambers), mounted on the pneumatic circuit before the air-manifold.  
The pneumatic operating circuit must have a service unit, placed before the cylinder, to clean the air from any impurity and lubricate it with oil.  
Maximum operating pressure: 7 bar.

### Standard equipment

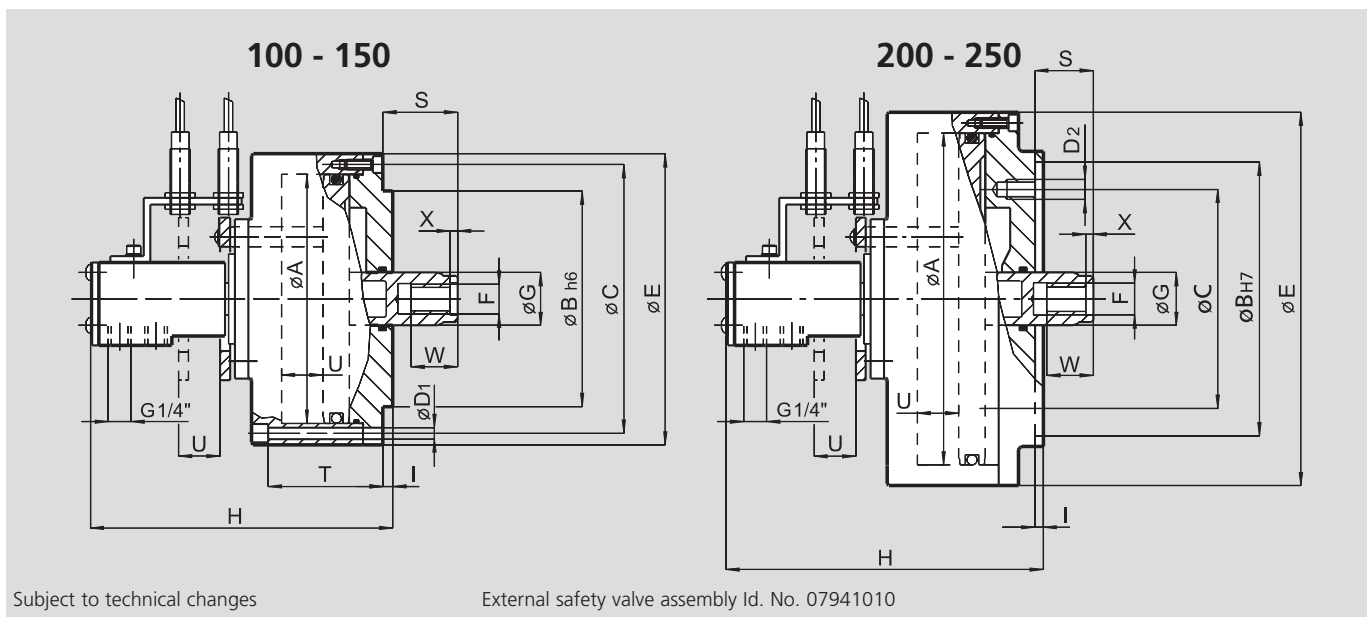
Closed center pneumatic cylinder  
with stroke control and proximity switch  
support (without proximity switch)

### Ordering example

Cylinder type CSN 100 No. 33072110  
or  
Cylinder type CSN 150 No. 33072115  
with safety valve (optional)

## Technical data

SMW-AUTOBLOK Type		CSN 100	CSN 150	CSN 200	CSN 250
<b>Id. No.</b>		<b>33072110</b>	<b>33072115</b>	<b>33072120</b>	<b>33072124</b>
<b>Piston area</b>	cm <sup>2</sup>	71	176	306	482
<b>Max. pressure</b>	bar	7	7	7	7
<b>Traction at 6 bar</b>	kN	4.3	10	18	29
<b>Max. speed</b>	r.p.m.	4500	4500	4500	4500
<b>Mass</b>	kg	5	8	11	16
<b>Moment of inertia</b>	kg·m <sup>2</sup>	0.01	0.03	0.06	0.18



SMW-AUTOBLOK Type		CSN 100	CSN 150	CSN 200	CSN 250	
<b>Piston diameter</b>	<b>A</b>	mm	100	150	200	250
	<b>B</b>	mm	80	130	165	165
<b>Fixing bolts circle</b>	<b>C</b>	mm	112	162	132	132
<b>Fixing bolts diameter</b>	<b>D1</b>	mm	6 x Ø7	6 x Ø7	-	-
<b>Threaded fixing holes</b>	<b>D2</b>	mm	-	-	3 x M12	3 x M12
	<b>E</b>	mm	125	175	225	275
	<b>F</b>	mm	M16	M16	M18	M18
	<b>G</b>	mm	30	30	32	32
	<b>H</b>	mm	171	171	190	190
	<b>I</b>	mm	5	5	5	5
	<b>S</b>	mm	35	35	35	35
	<b>T</b>	mm	60	60	-	-
<b>Piston stroke</b>	<b>U</b>	mm	20	20	25	25
	<b>W</b>	mm	20	20	30	30
	<b>X</b>	mm	4	4	5	5